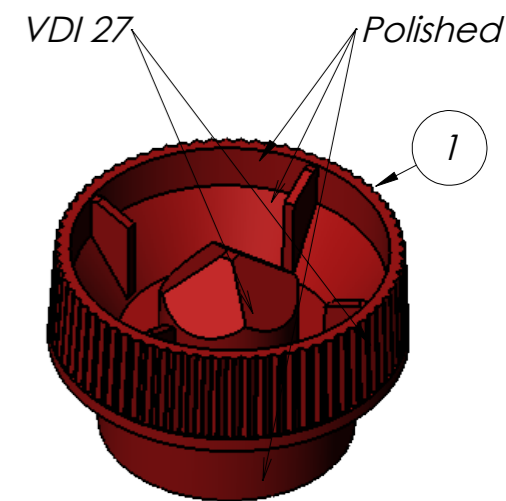


SECTION A-A



Item	Qty.	Title/Name	Art.No.	Material	Weight	Note
1	1	Closure 15mm	15-288	PP	1.49	-
Designed by TB		Checked by BN	General Tolerances ±0,2	Filename 12332B	Date 2011-02-17	Scale 5:1
Emballator Växjöplast AB Smedjegatan 8 352 46 VÄXJÖ Tel: +46(0)470 722000 Fax: +46(0)470 722001			Title/Name Closure 15mm Facet Standard			Drawing number S15-288
					Rev.no B	Sheet 2/2