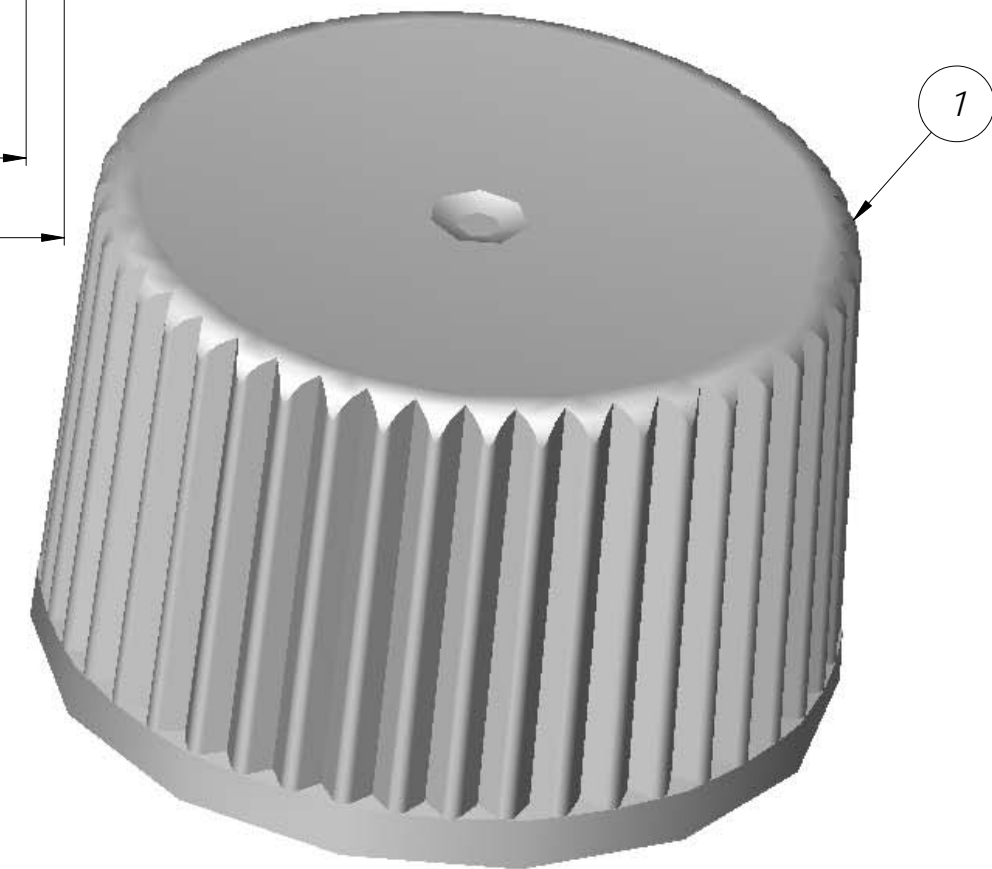
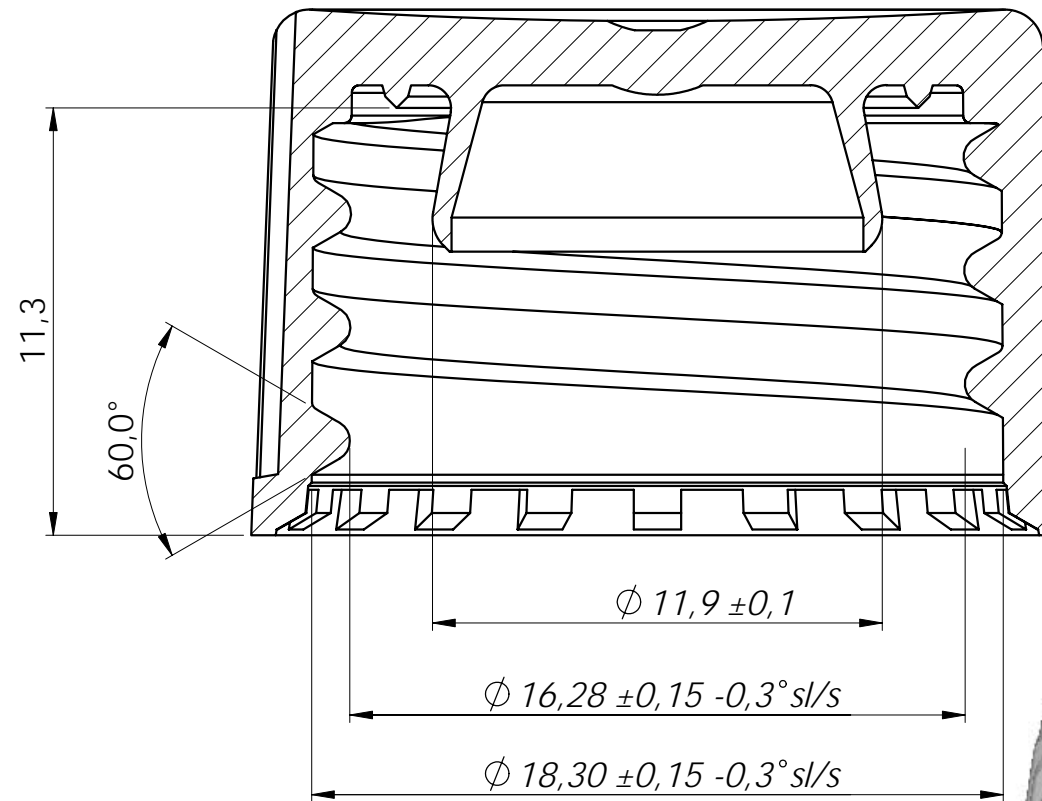
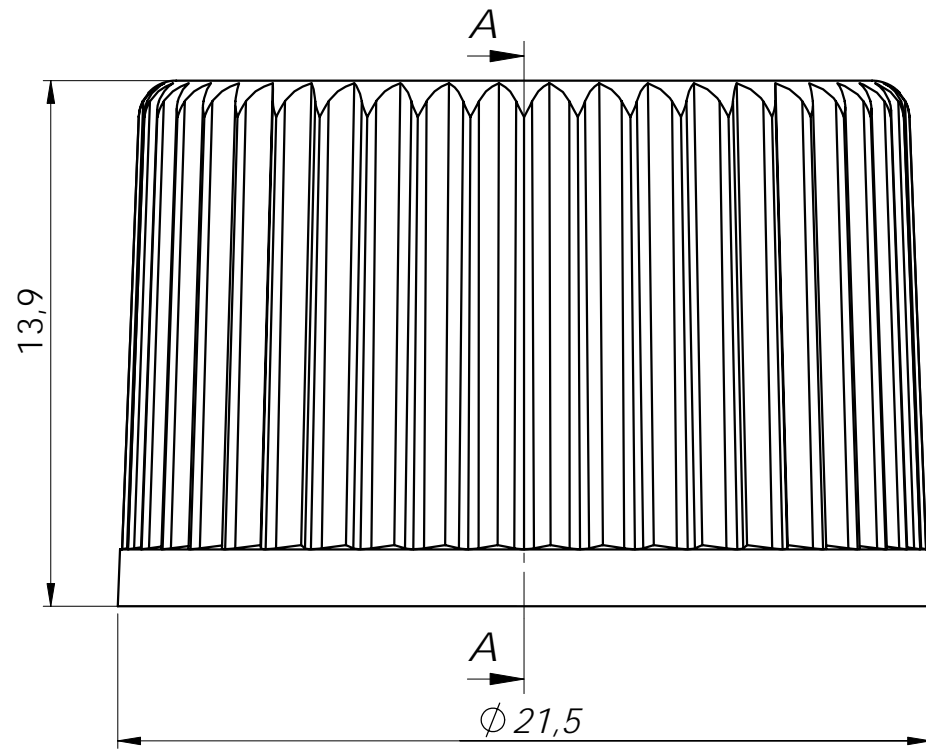


Thread:
One entrance
Pitch 3,0mm



1	1	Closure 18mm	18-203	PP	1.5	
Item	Quant.	Title/Name	Art-/Mold-no	Material	Weight	Note
Designed by TB	Checked by BN	General Tolerances +-0,2		Filename S 18-203	Date 2005-02-28	Scale 5:1
Emballator Växjöplast AB Smedjegatan 8 352 46 VÄXJÖ Tel:+46(0)470 722000 Fax:+46(0)470 722001			Title/Name Closure 18mm For Vial Standard			
			Drawing number S 18-203			Rev.no -