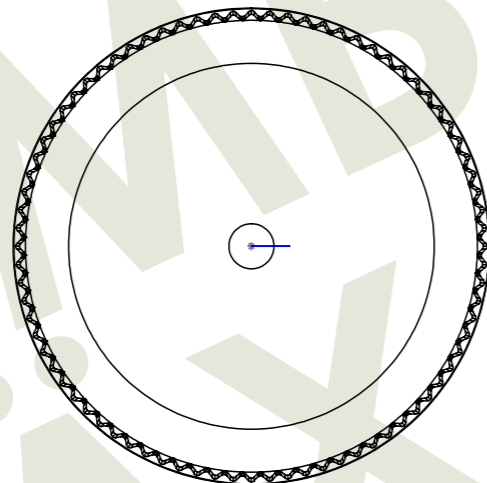
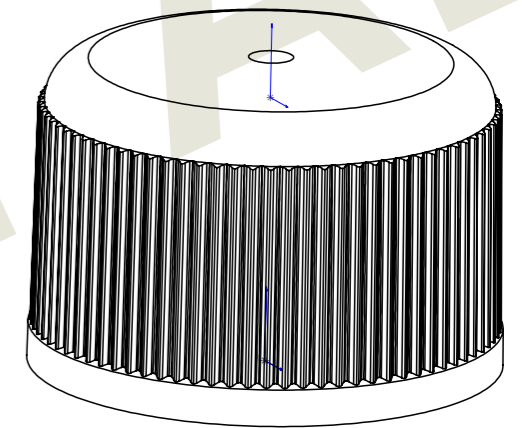


Thread: P28
 One entrance
 Pitch 4,0mm
 1° draft/side



UNREGISTERED COPY

Item	Qty.	Title/Name	Art.No.	Material	Weight	Note
1	1	Closure	28-185	PP	3.35	
2	1	Liner	-	IHS		

Designed by JTR	Checked by BN	General Tolerances 	Filename 12610	Date 2016-12-09	Scale 2:1	
			Title/Name Assý 28 mm Art. nr 28-185 Standard			
			Drawing number S 28-185		Edition	Sheet 1/1