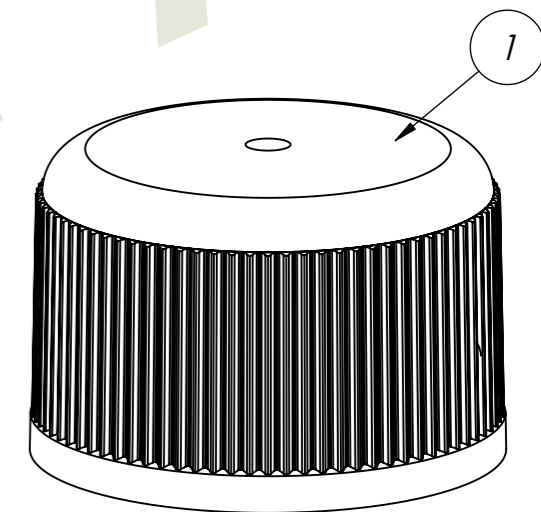
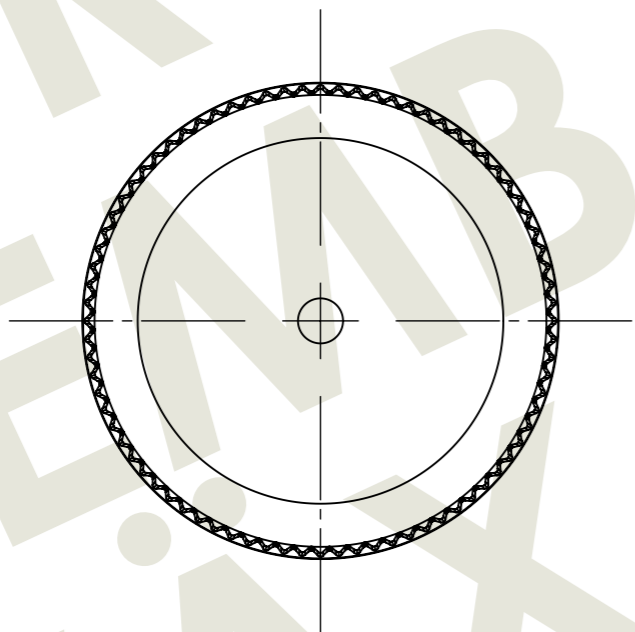


Thread:
 For neck P28
 One start RH.
 Pitch 4,0



UNREGISTERED COPY

Item	Qty.	Title/Name	Art.No.	Material	Weight	Note
1	1	Closure	28-880HD	HDPE	3.63	-

Designed by TB	Checked by BN	General Tolerances -		Filename 12484	Date 2013-12-18	Scale 2:1
Emballator Växjöplast AB Smedjegatan 8 352 46 VÄXJÖ Tel:+46(0)470 722000 Fax:+46(0)470 722001			Title/Name Closure 28mm Standard		Drawing number S 28-880HD	Edition - Sheet 3/3