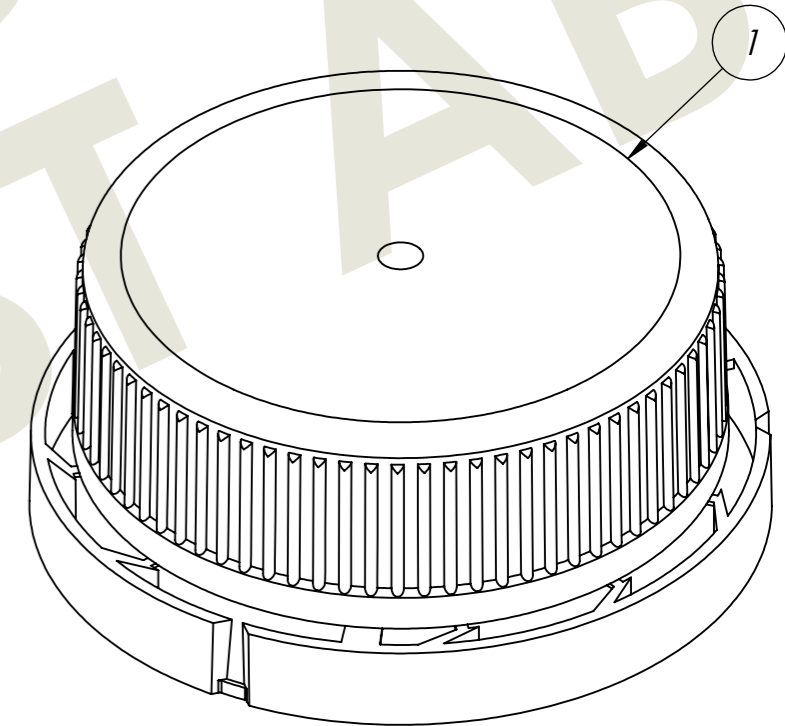


Thread:
 For neck P40
 One start RH.
 Pitch: 4,0



UNREGISTERED COPY

Item	Qty.	Title/Name	Art.No.	Material	Weight	Note
1	1	Closure	40-900 G-F	PP	5.4	-
Designed by		Checked by	General Tolerances	Filename	Date	Scale
TB		BN	±0,2	12506	2014-03-14	2:1 A3
Emballator Växjöplast AB Smedjegatan 8 352 46 VÄXJÖ Tel:+46(0)470 722000 Fax:+46(0)470 722001			Title/Name Closure 40mm Tamper Evident Standard			Drawing number S 40-900 G-F
				Edition	Sheet	
				-	3/3	