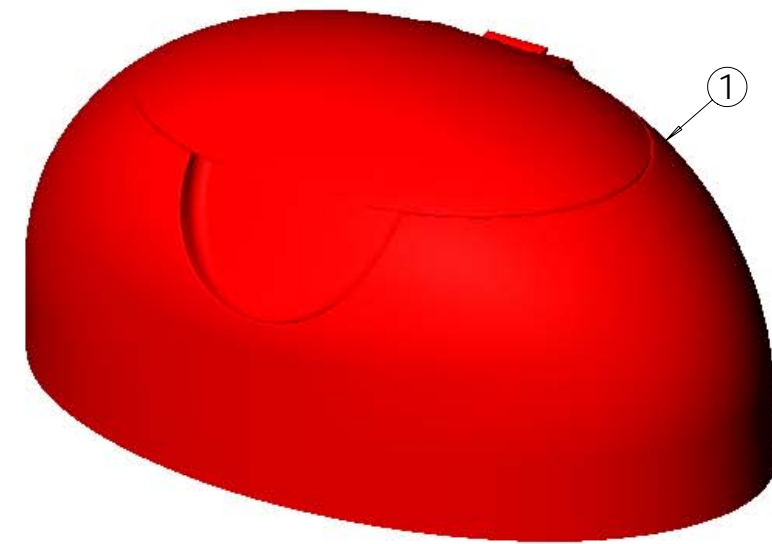
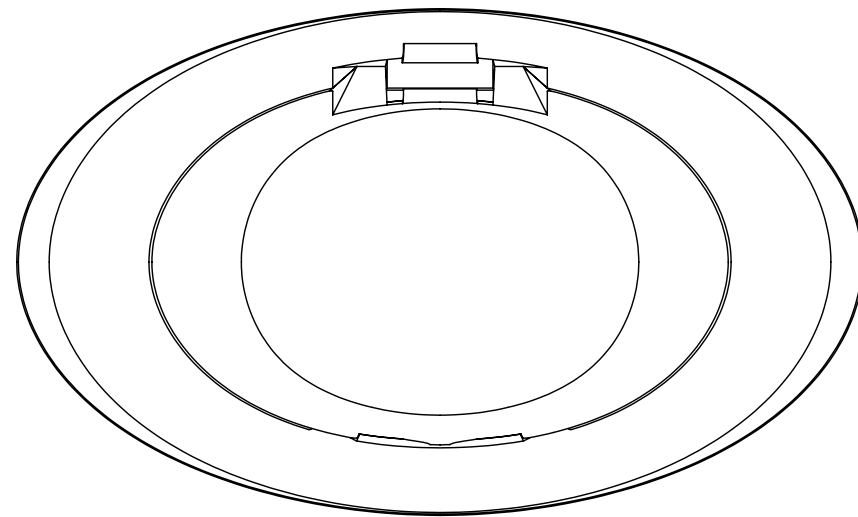


J-J (2 : 1)



1	1	Closure 00-138	00-138	PP	3,9g	
Item	Quant.	Title/Name	Art-/Mold-no	Material	Weight	Note
Designed by TB	Checked by BN	General Tolerances -		Filename S 00-138	Date 2008-05-14	Scale 2:1
Emballator Växjöplast AB Smedjegatan 8 352 46 VÄXJÖ Tel:+46(0)470 722000 Fax:+46(0)470 722001			Title/Name Closure			
			Standard			
			Drawing number S 00-138		Rev.no -	Sheet 1/1