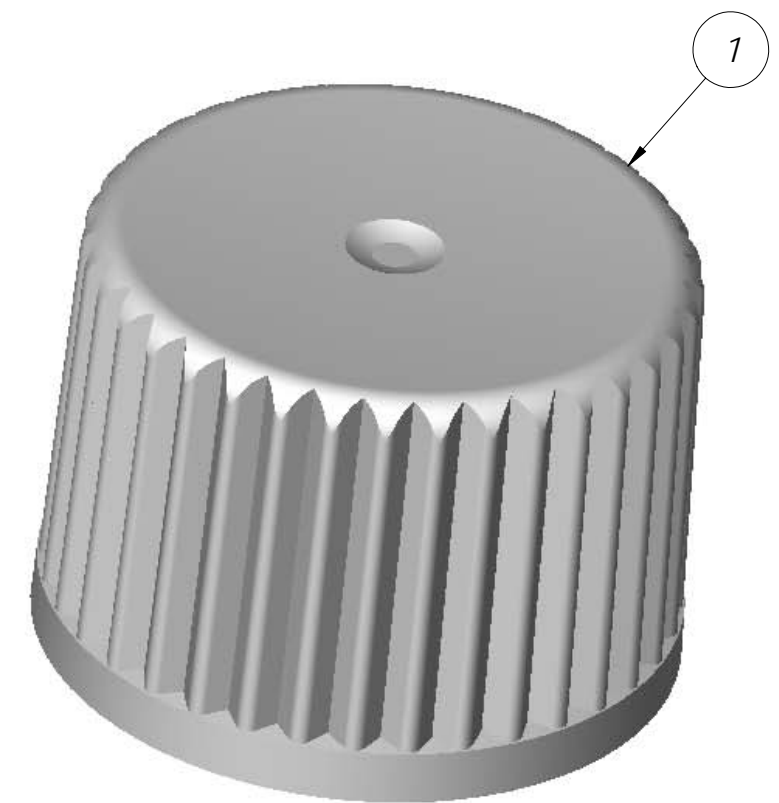
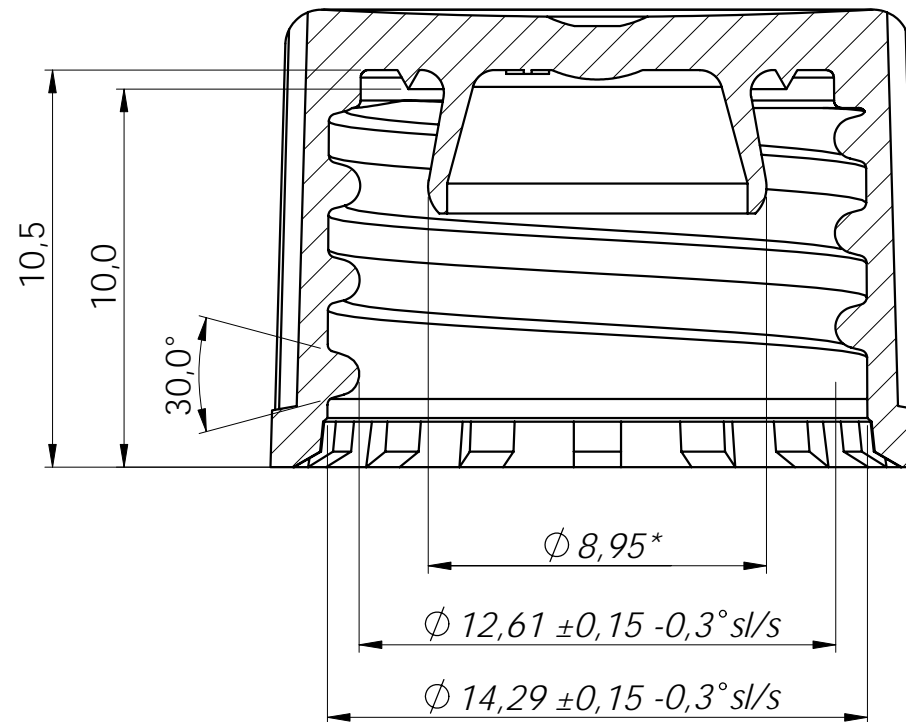


*Tolerances:
 White and black color +0,1 -0,05mm
 Other color +0,05 -0,1mm

Thread:
 One entrance
 Pitch 2,5mm



1	1	Closure 14mm	14-200	PP	0.9	
Item	Quant.	Title/Name	Art-/Mold-no	Material	Weight	Note
Designed by TB	Checked by BN	General Tolerances +-0,2		Filename S 14-200	Date 2004-05-07	Scale 5:1
Emballator Växjöplast AB Smedjegatan 8 352 46 VÄXJÖ Tel:+46(0)470 722000 Fax:+46(0)470 722001			Title/Name Closure 14mm For Vial Standard			
			Drawing number S 14-200			Rev.no -