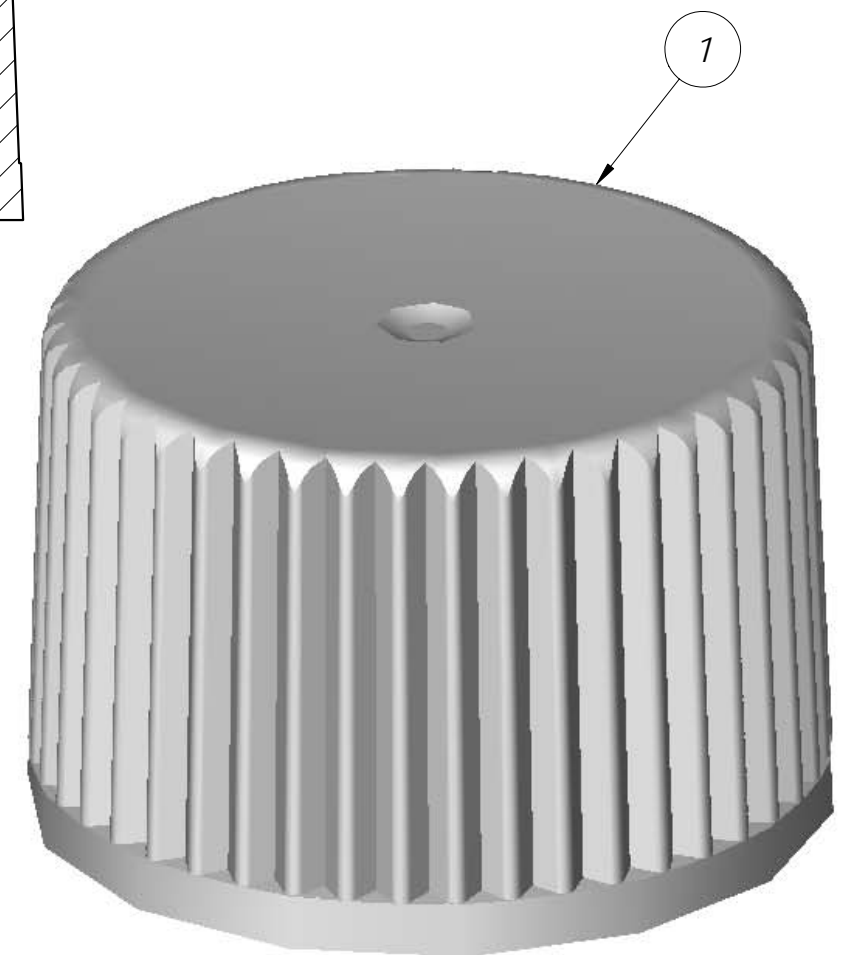
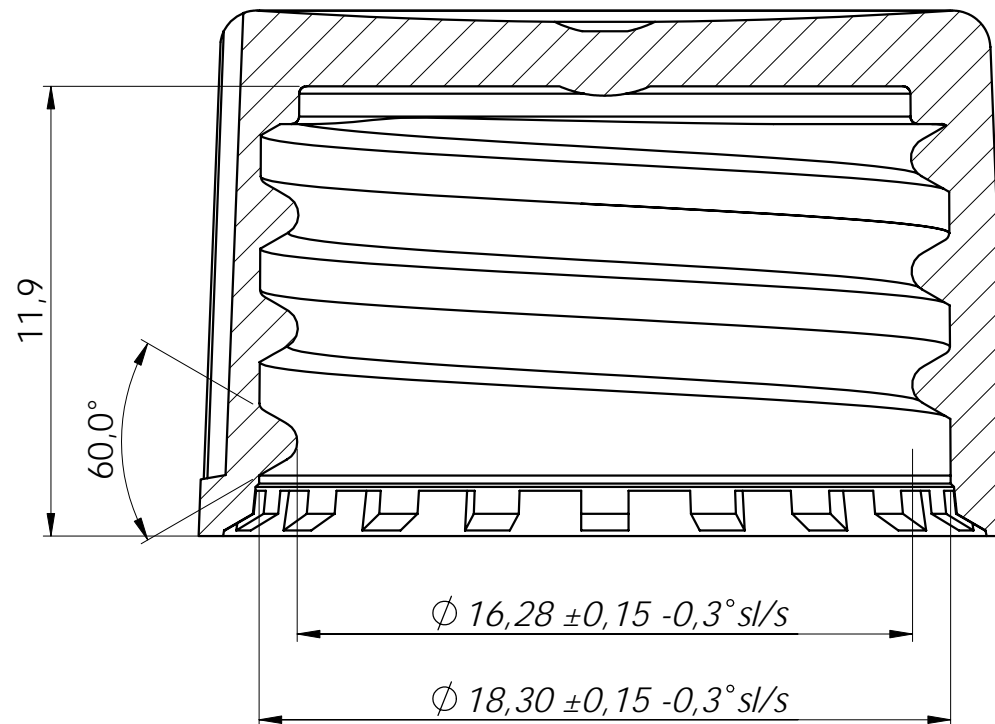


Thread:
One entrance
Pitch 3,0mm



1	1	Closure 18mm	18-219	PP	1.4	
Item	Quant.	Title/Name	Art-/Mold-no	Material	Weight	Note
Designed by TB	Checked by BN	General Tolerances +-0,2		Filename S 18-219	Date 2005-02-28	Scale 2:1
Emballator Växjöplast AB Smedjegatan 8 352 46 VÄXJÖ Tel:+46(0)470 722000 Fax:+46(0)470 722001			Title/Name Closure 18mm For Vial with stopper Standard			
			Drawing number S 18-219			Rev.no -