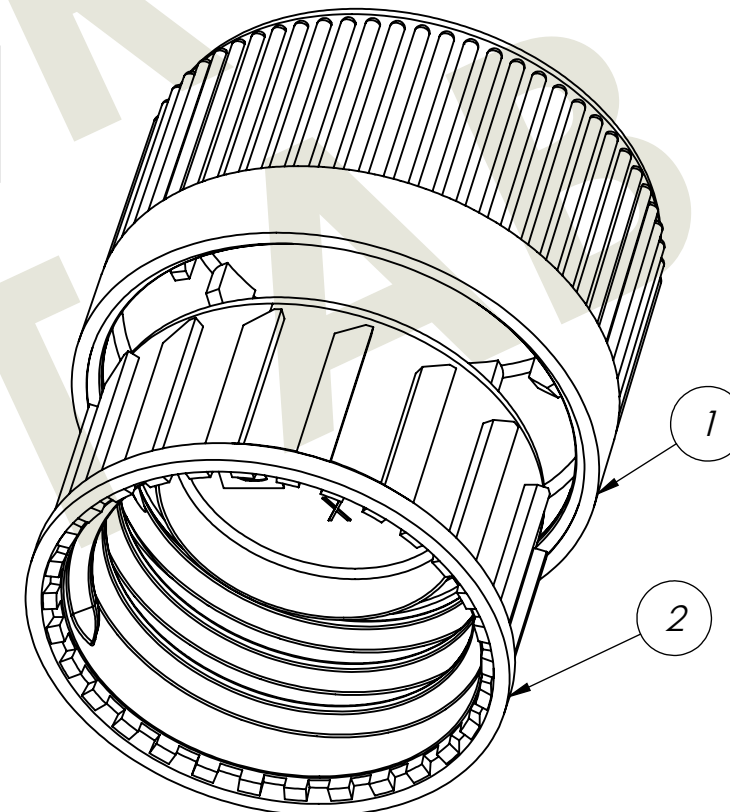


Thread:
 For neck P28.
 One start.
 Pitch 4,0



UNREGISTERED COPY

Item	Qty.	Title/Name	Art.No.	Material	Weight	Note
2	1	Closure	28-227	POM	5.1	-
1	1	Cover	00-127	PP	3.49	-

Designed by TB	Checked by BN	General Tolerances -		Filename 12426	Date 2014-02-12	Scale 2:1
-------------------	------------------	-------------------------	--	-------------------	--------------------	--------------

Emballator Växjöplast AB Smedjegatan 8 352 46 VÄXJÖ Tel: +46(0)470 722000 Fax: +46(0)470 722001	Title/Name Ass'y 28-227/00-127 28mm Child res. Closure Standard	
	Drawing number S 28-227/00-127	Edition -