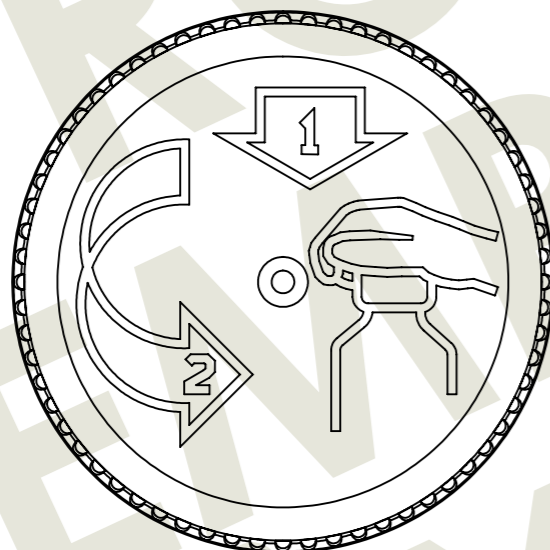
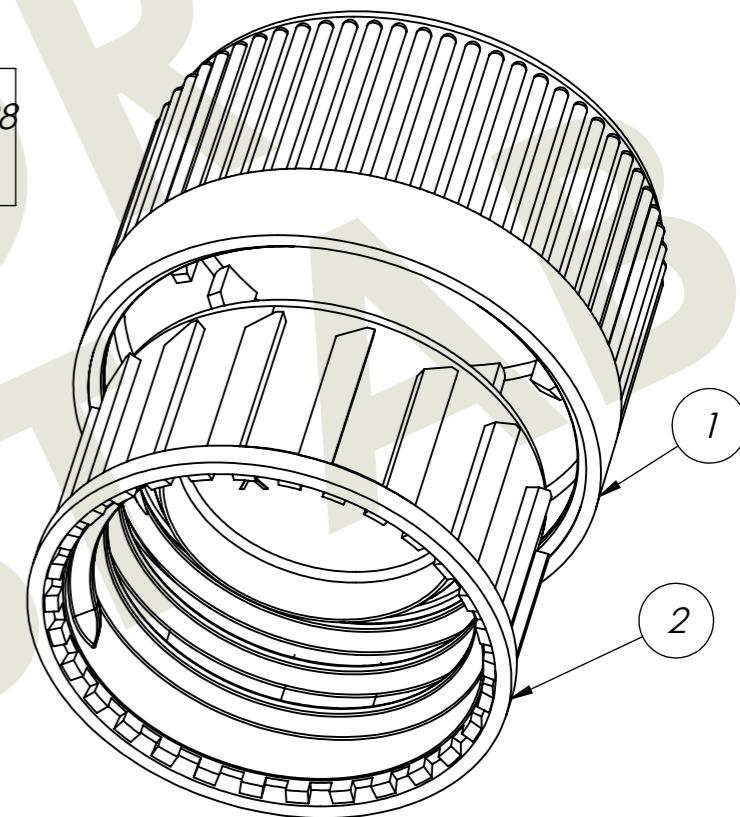


Thread:
For neck P28
One start.
Pitch 4,0



UNREGISTERED COPY

Item	Qty.	Title/Name	Art.No.	Material	Weight	Note
2	1	Closure	28-886	PP	3.4	-
1	1	Cover	00-127	PP	3.49	-

Designed by TB	Checked by AH	General Tolerances -		Filename 12430	Date 2014-02-12	Scale 2:1
Emballator Växjöplast AB Smedjegatan 8 352 46 VÄXJÖ Tel: +46(0)470 722000 Fax: +46(0)470 722001			Title/Name Ass'y 28-886/00-127 28mm Child res. Closure Standard			
Drawing number S 28-886PP_00-127				Edition -	Sheet 2/2	