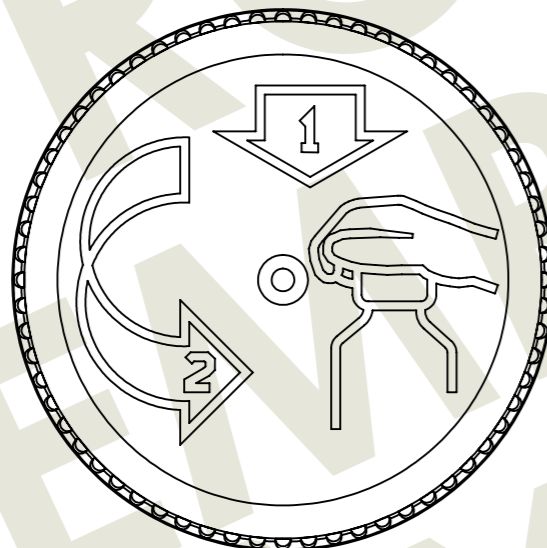
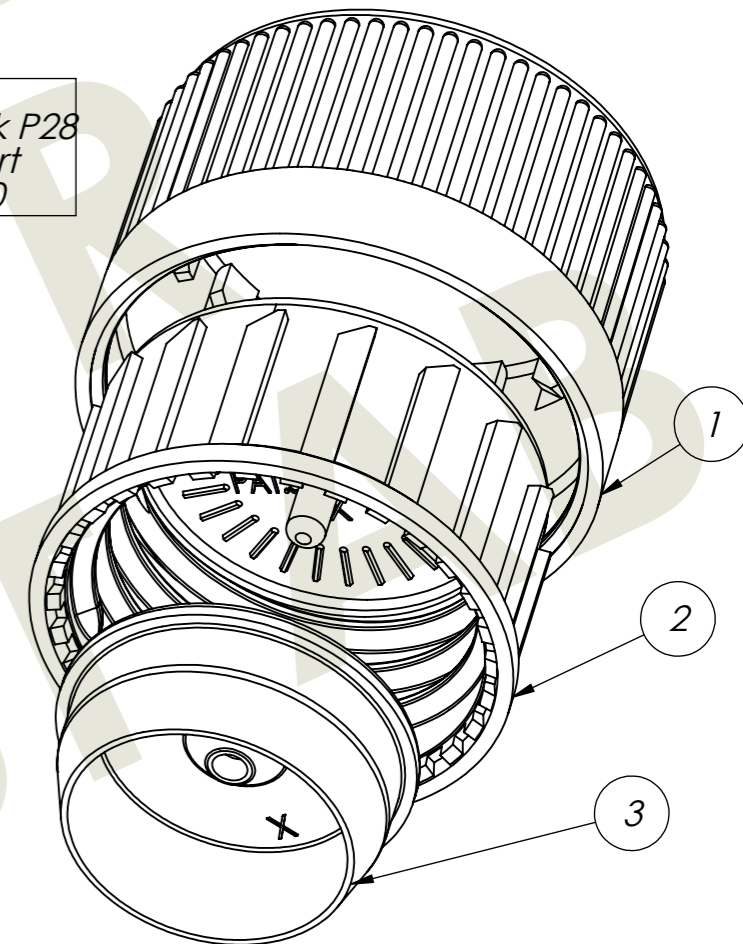


Thread:  
 For neck P28  
 One start  
 Pitch 4,0



## UNREGISTERED COPY

Item	Qty.	Title/Name	Art.No.	Material	Weight	Note
3	1	Propp	P22,3/2.5	LDPE	1.3	-
2	1	Closure	28-887	PP	3.2	-
1	1	Cover	00-127	PP	3.49	-

Designed by TB	Checked by AH	General Tolerances -		Filename 12432	Date 2014-02-22	Scale 2:1
<b>Emballator Växjöplast AB</b> Smedjegatan 8 352 46 VÄXJÖ Tel: +46(0)470 722000 Fax: +46(0)470 722001			Title/Name Ass'y 28-887/00-127 28mm Child res. Closure Standard			
Drawing number				Edition		Sheet
S 28-887PP_00-127				-		2/2