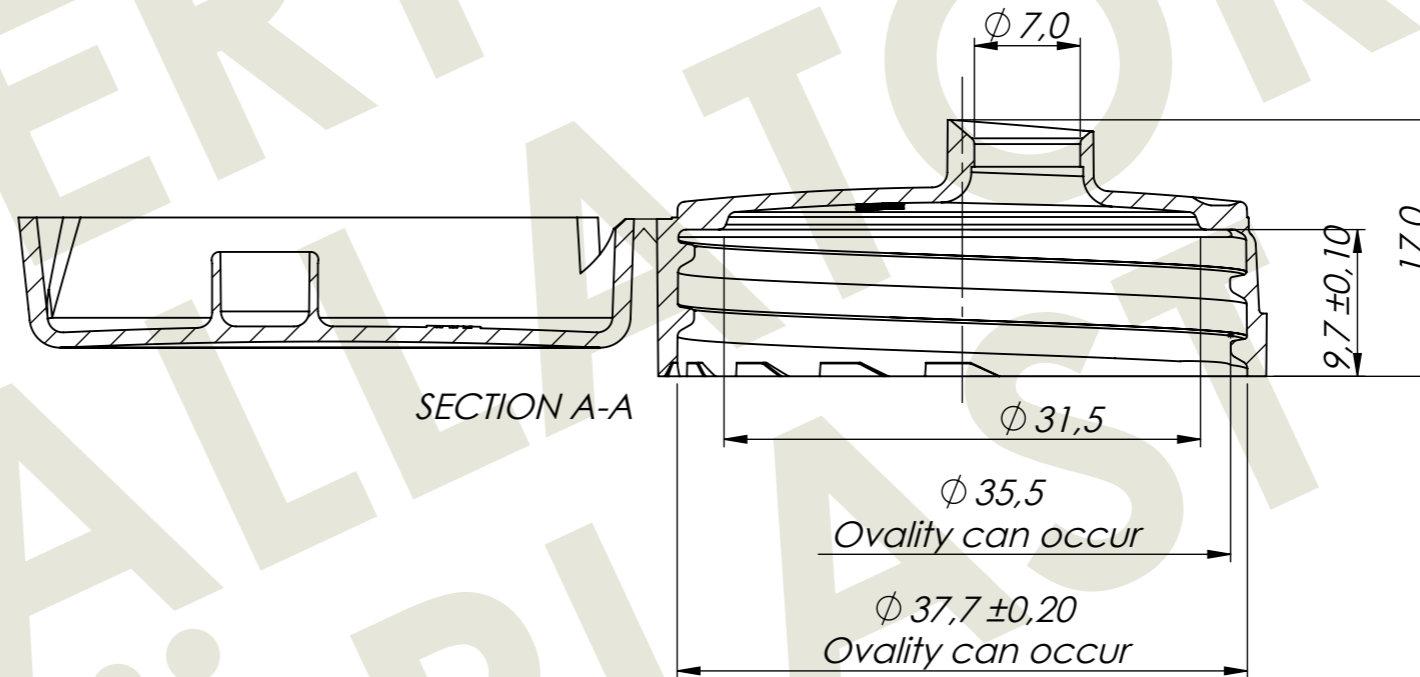


SECTION B-B



SECTION A-A

Thread for neck
38 SP400



UNREGISTERED COPY

Item	QTY.	Title/Name	Art.No.	Material	Weight	Note
1	1	38mm Flip top ø7,0 (Excentric)	38-256 (7)	PP	5.2	-
2	1	IHS liner	-	-	-	-

Designed by TB	Checked by BN	General Tolerances -		Filename 12356A	Date 2011-07-07	Scale 2:1
-------------------	------------------	-------------------------	--	--------------------	--------------------	--------------

Emballator Växjöplast AB
 Smedjegatan 8
 352 46 VÄXJÖ
 Tel: +46(0)470 722000
 Fax: +46(0)470 722001

Title/Name
 Ass'y 38mm Flip top ø7,0 excentric
 Polar
 Standard

Drawing number S 38-256/7,0	Rev.no A	Sheet 2/2
--------------------------------	-------------	--------------