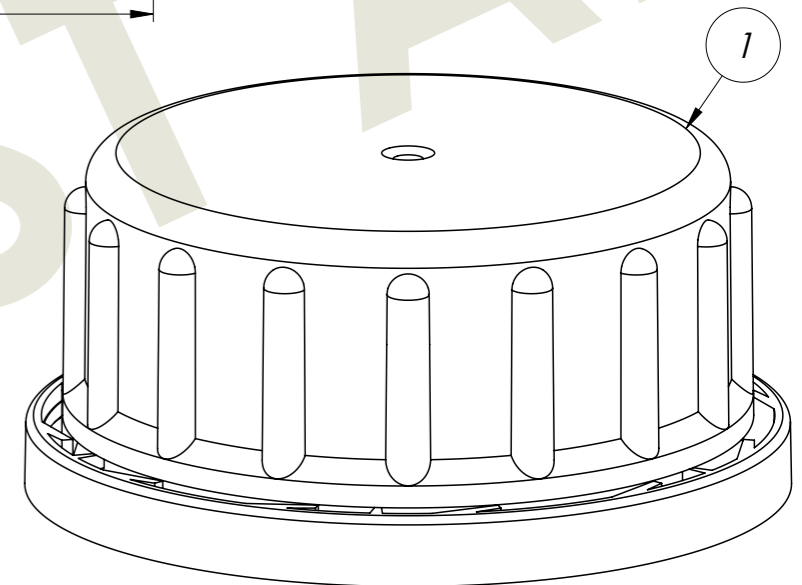
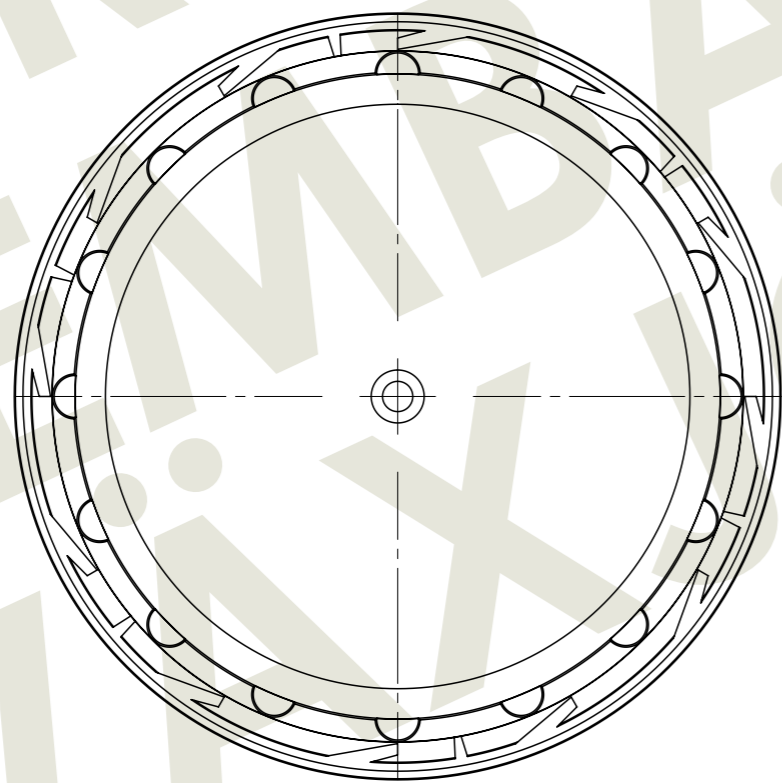


Thread:
 One start RH
 Pitch 4,5



UNREGISTERED COPY

1	1	Closure	40-254	HDPE	8.6	-
Item	Qty.	Title/Name	Art.No.	Material	Weight	Note
Designed by	Checked by	General Tolerances		Filename	Date	Scale
TB	AH	-		12474	2013-11-21	2:1
Emballator Växjöplast AB Smedjegatan 8 352 46 VÄXJÖ Tel: +46(0)470 722000 Fax: +46(0)470 722001			Title/Name Closure 40mm Tamper Evident Standard			
			Drawing number S 40-254G		Edition -	Sheet 3/3