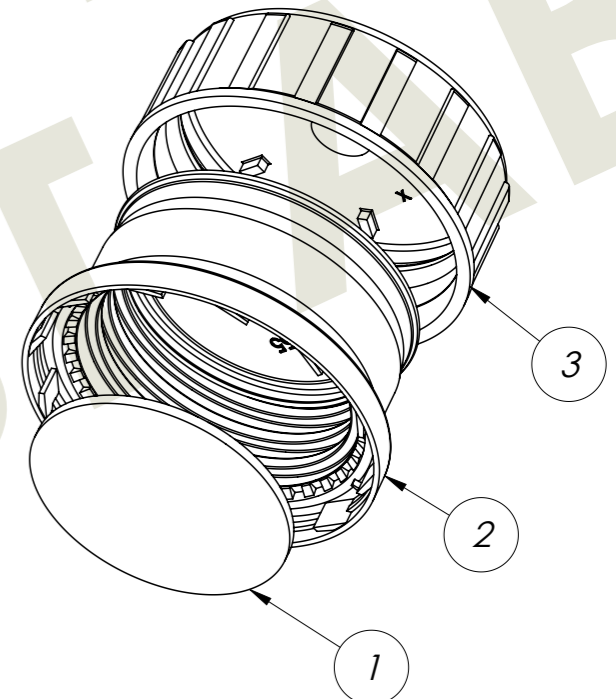
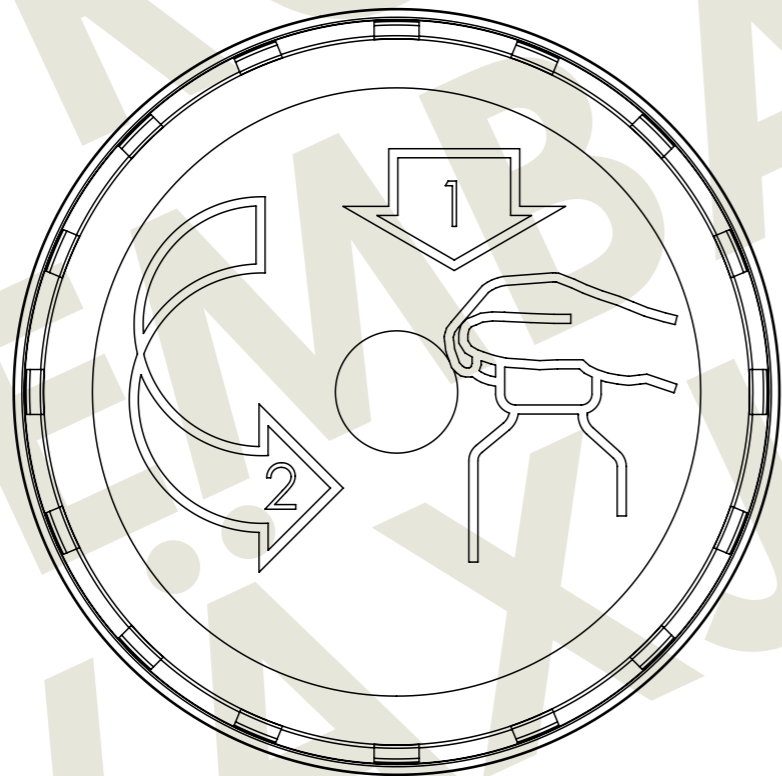


Thread:
One start RH
Pitch 4,5.



UNREGISTERED COPY

Item	Qty.	Title/Name	Art.No.	Material	Weight	Note
3	1	Cover	00-901G	HDPE	7.0	-
2	1	Closure	40-255	HDPE	8.1	-
1	1	Liner	-	-	-	-

Designed by TB	Checked by AH	General Tolerances -		Filename 12436	Date 2013-06-07	Scale 1:1
Emballator Växjöplast AB Smedjegatan 8 352 46 VÄXJÖ Tel:+46(0)470 722000 Fax:+46(0)470 722001			Title/Name Ass'y 40-255/00-901G 40mm Child res. closure Standard			
Drawing number S 40-255_901G				Edition -	Sheet 2/2	