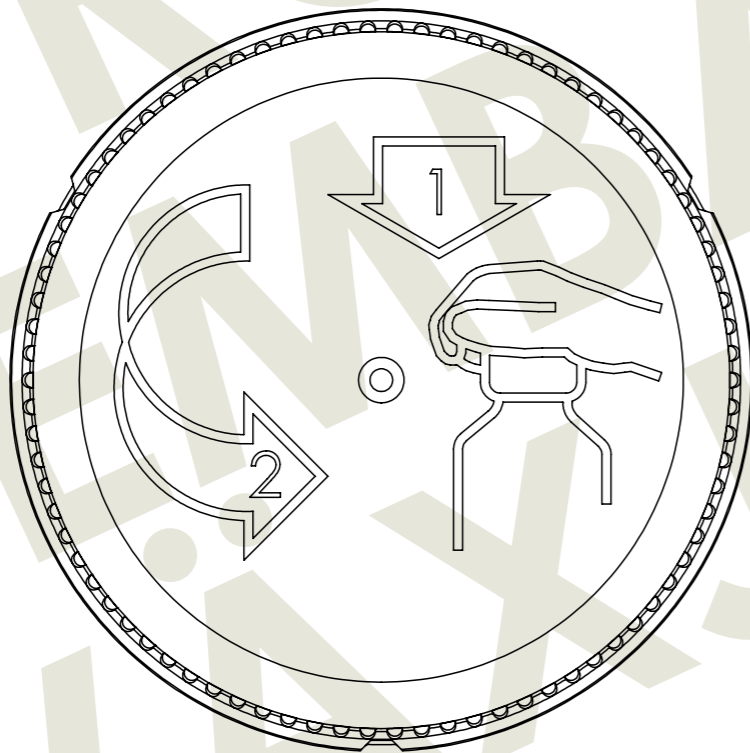
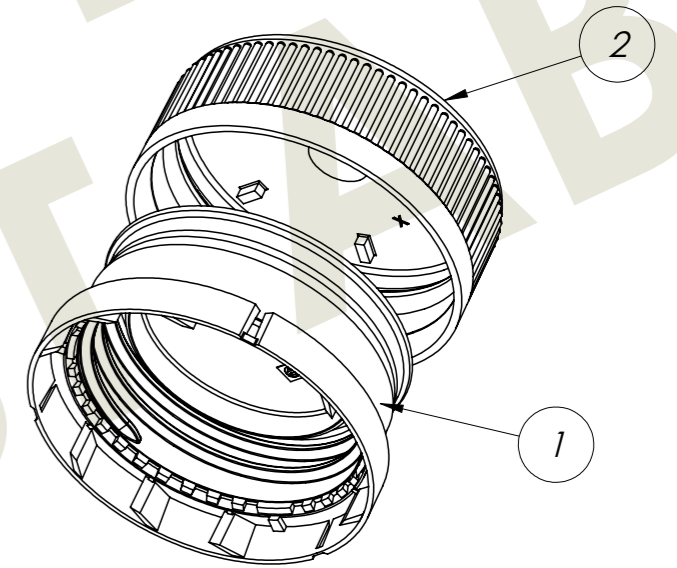


SECTION A-A  
 SCALE 2:1  
 $\phi 37,65 \pm 0,15$   
 $\phi 40,35 \pm 0,15$   
 Thread:  
 For neck P40.  
 One start RH  
 Pitch: 4,0



## UNREGISTERED COPY

Item	Qty.	Title/Name	Art.No.	Material	Weight	Note
2	1	Cover	00-901F	HDPE	6.2	-
1	1	Closure	40-900	HDPE	6.5	-

Designed by TB	Checked by AH	General Tolerances -		Filename S 40-900BSG_00-901F	Date 2014-06-16	Scale 1:1
-------------------	------------------	-------------------------	--	---------------------------------	--------------------	--------------

Emballator Växjöplast AB  
 Smedjegatan 8  
 352 46 VÄXJÖ  
 Tel: +46(0)470 722000  
 Fax: +46(0)470 722001

Title/Name Ass'y 40-900BSG/00-901F 40mm Child res. closure Standard	
Drawing number S 40-900BSG_00-901F	Edition A
	Sheet 2/2