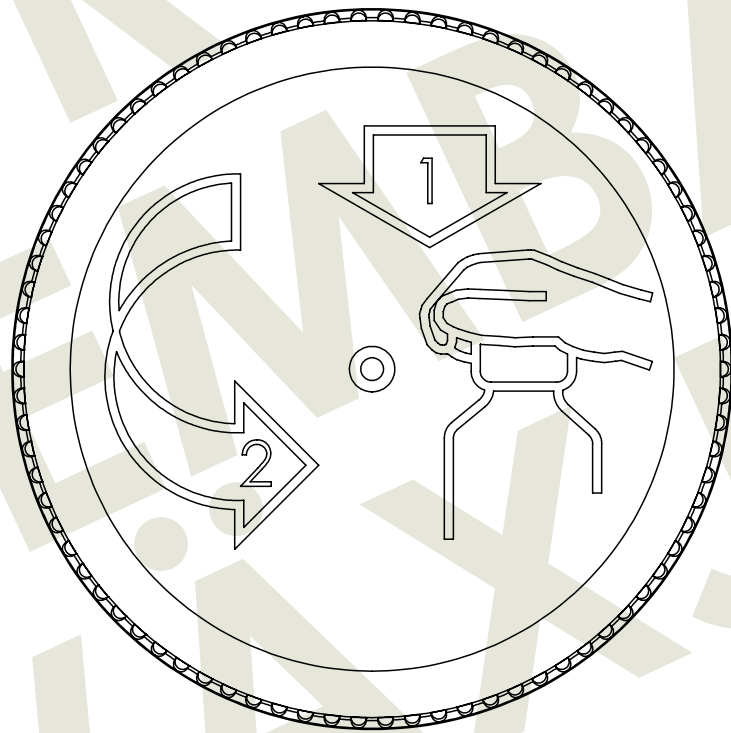
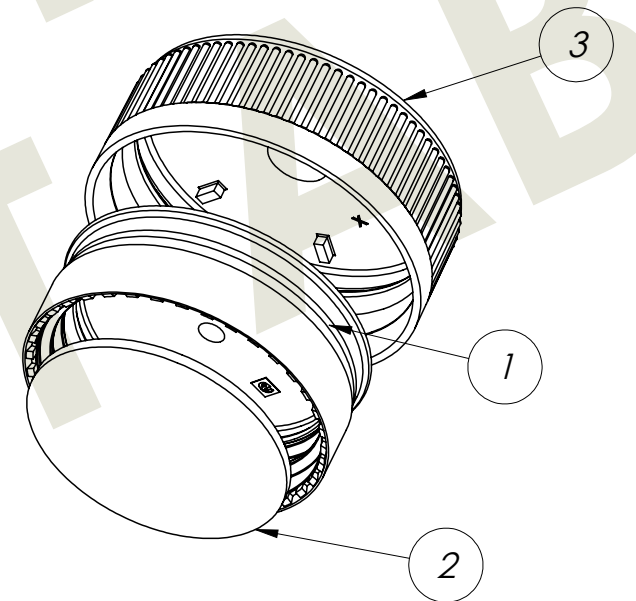


Thread:  
 For neck P40.  
 One start RH  
 Pitch: 4,0



## UNREGISTERED COPY

Item	Qty.	Title/Name	Art.No.	Material	Weight	Note
3	1	Cover	00-901F	HDPE	6.2	-
2	1	Liner	-	EPE	0.83	-
1	1	Closure	40-985	HDPE	5.5	-

Designed by TB	Checked by BN	General Tolerances -		Filename 12449A	Date 2014-06-16	Scale 1:1
-------------------	------------------	-------------------------	--	--------------------	--------------------	--------------

**Emballator Växjöplast AB**  
 Smedjegatan 8  
 352 46 VÄXJÖ  
 Tel:+46(0)470 722000  
 Fax:+46(0)470 722001

Title/Name  
 Ass'y 40-985BS/00-901G  
 40mm Child res. closure  
 Standard

Drawing number <b>S 40-985BS_00-901F</b>	Edition A	Sheet 2/2
---	--------------	--------------